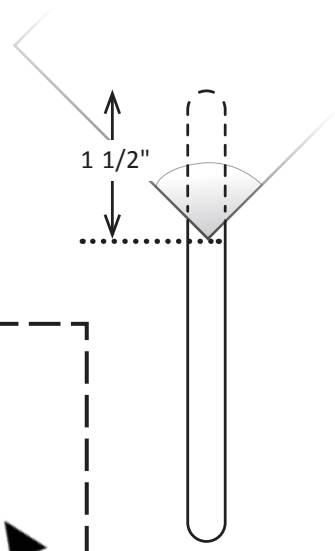


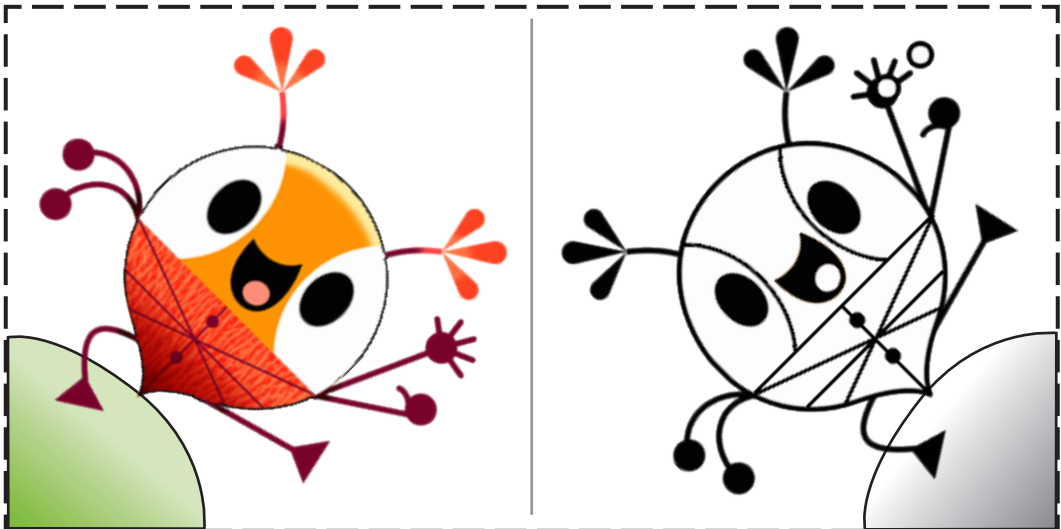


PUPPETS FOR STORY TELLING

- Color your puppets then cut out on the dotted line.
- Fold in half so corners A & B meet with about 1 1/2 inch of the top of a popsicle stick placed in between the two corners.
- Attach the two sides to the stick with glue or tape.



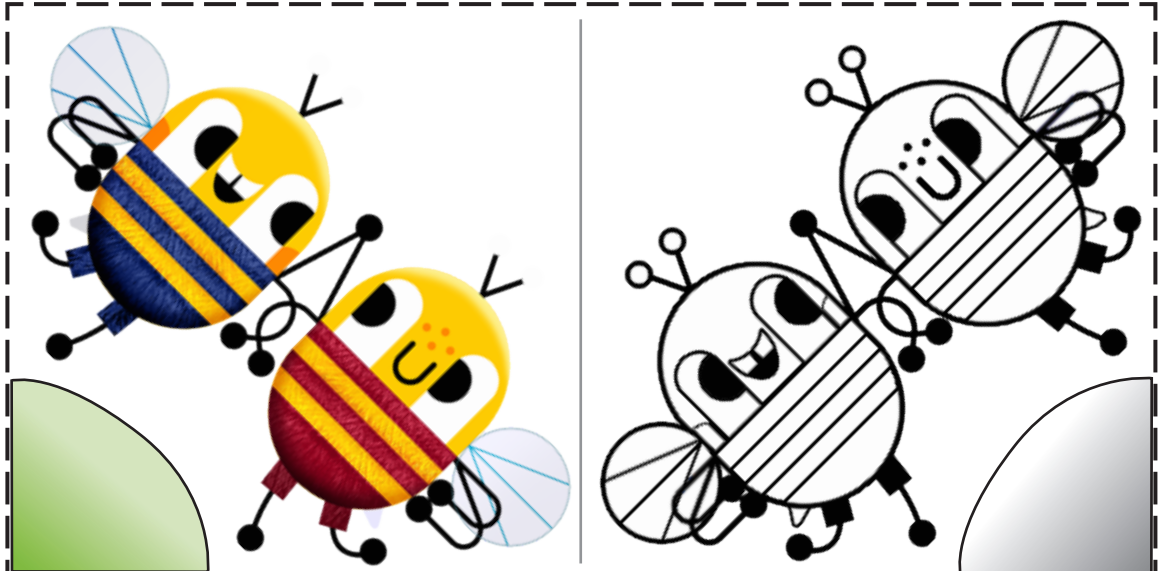
Fold in half at center on line



Attach folded puppet around the top 1 1/2 inch of stick

CORNER A

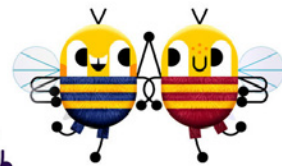
CORNER B



CORNER A

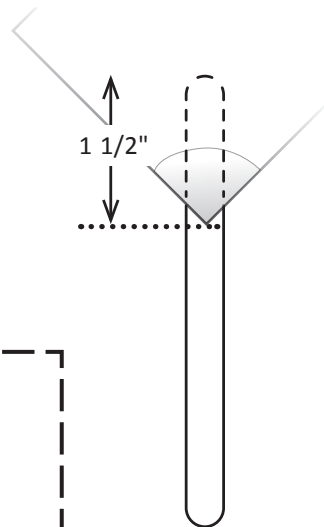
CORNER B



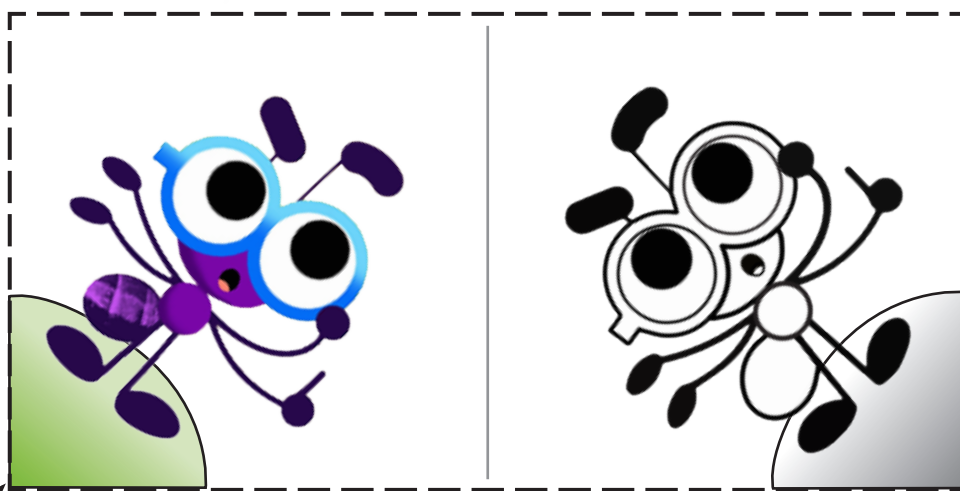


PUPPETS FOR STORY TELLING

- Color your puppets then cut out on the dotted line.
- Fold in half so corners A & B meet with about 1 1/2 inch of the top of a popcicle stick placed in between the two corners
- attach the two sides to the stick with glue or tape



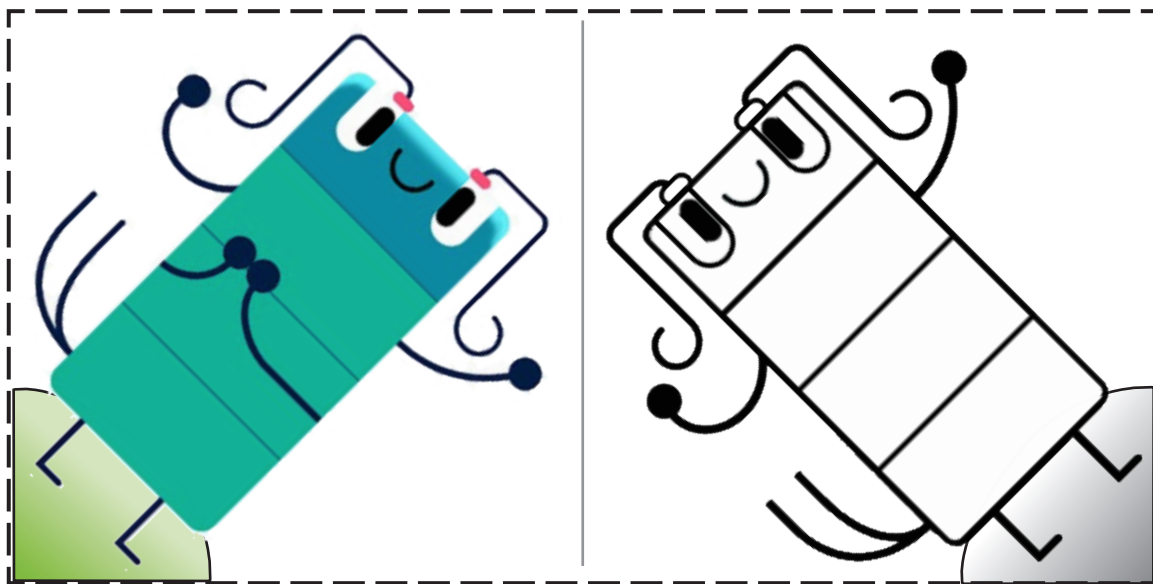
Fold in half at center on line



CORNER A

CORNER B

Attach folded puppet around the top 1 1/2 inch of stick



CORNER A

CORNER B